

Motorcycle Rearview Mirror Installation and Use Manual

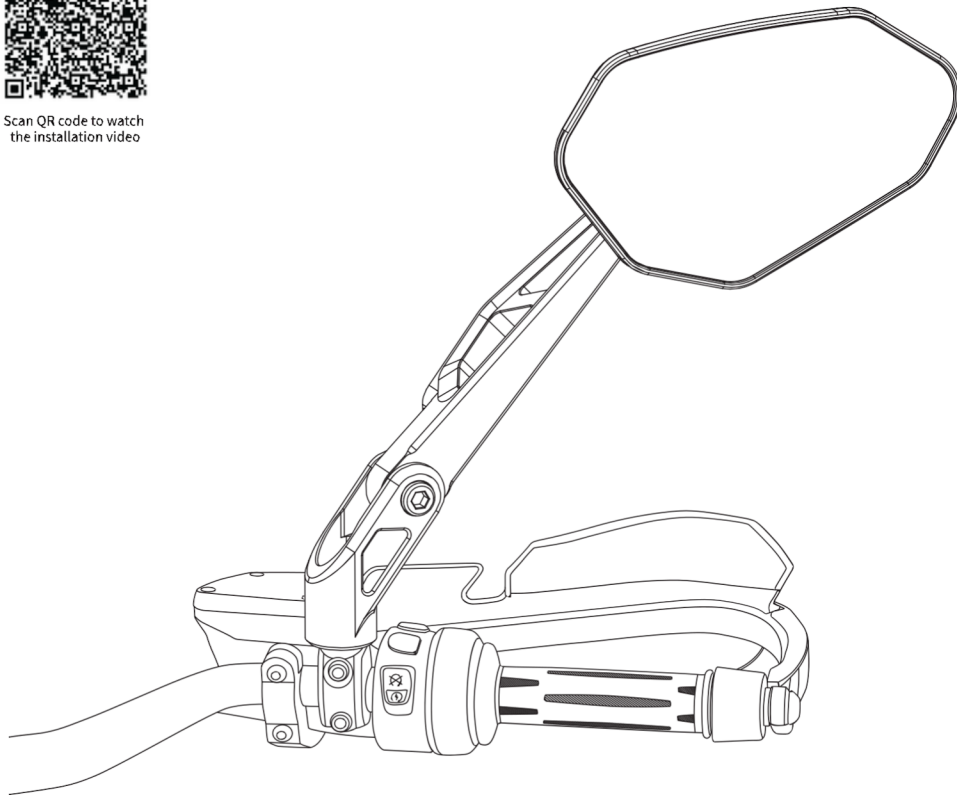
Model: RM02

Please read the manual and related after-sales service terms carefully before use. Incorrect installation and use can damage this product, significantly affect safe driving, and lose related free warranty services.

Product Diagram



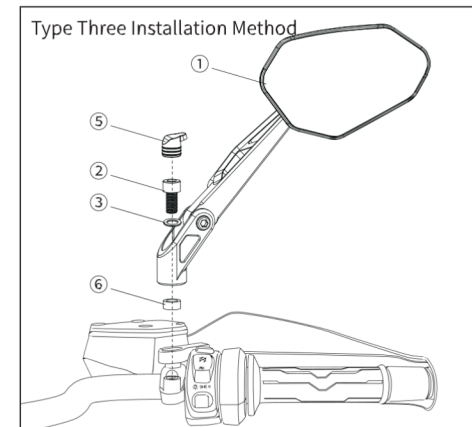
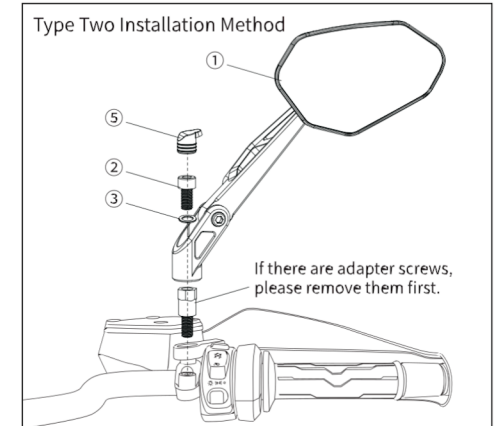
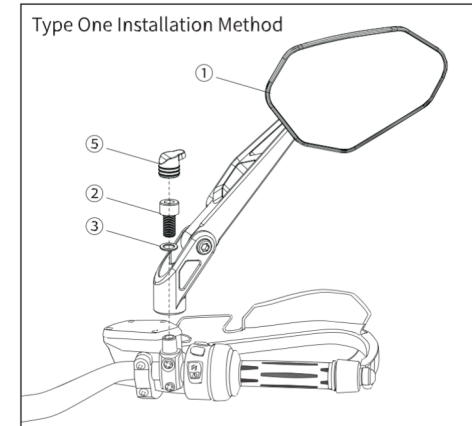
Scan QR code to watch the installation video



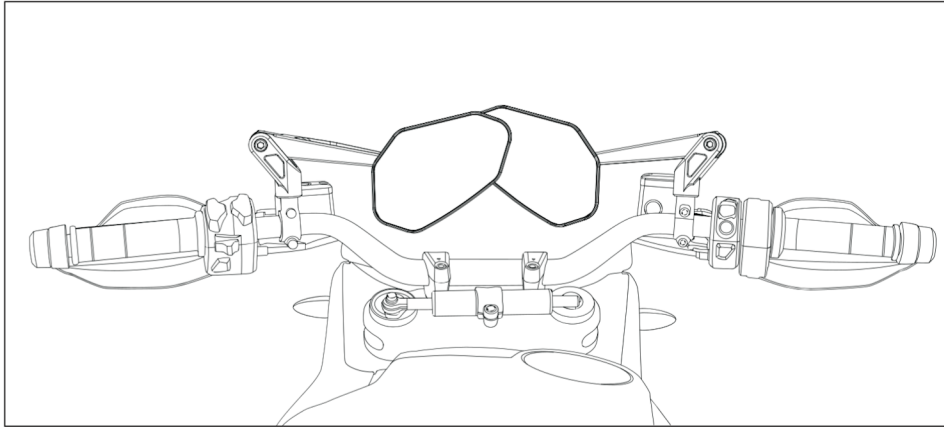
Product Parts List

| | | | | | |
|--|---------------------------|---------------------------|--------------------------|---------------------------|--|
| <p>Quantity: 1 piece each for left and right</p> | <p>Quantity: 2 pieces</p> | <p>Quantity: 2 pieces</p> | <p>Quantity: 1 piece</p> | <p>Quantity: 2 pieces</p> | <p>Quantity: 2 pieces</p> |
| Motorcycle rearview mirror body | Screws | Flat washers | Hex wrench | Silicone cover | Aluminum sleeve (Configure according to the installation requirements of the vehicle model) |

Installation Diagram



Folding Diagram



Precautions

1. Due to the different specifications of the screws for installing the rearview mirror of various models, to ensure that the screws are completely matched with the model and will not damage the vehicle, please first try to install the configured screws on the installation base, and you can smoothly tighten more than 5 turns by hand. After confirming that the screw specifications are correct, remove them.
2. Please use the standard screws for installation during installation. Individual models need to distinguish between the positive and negative teeth of the left and right screws.
3. When folding the rearview mirror, please pay attention to the staggered angle of the left and right rearview mirrors to avoid collision after folding.
4. This rearview mirror uses a spherical mirror, and the objects in the rearview mirror are slightly smaller than those displayed in a flat mirror. Please pay attention to maintaining a safe vehicle distance when using.
5. Be careful not to adjust the rearview mirror while driving.
6. Regularly check the screws, if they are loose, please tighten them in time.

After-sales service guarantee card

Please read this after-sales service guarantee card carefully. If you cannot accept it, please contact the dealer for a return or exchange in time. Installation and use indicate acceptance of these after-sales service terms.

After-sales Service Terms

1. One-year free warranty period. This motorcycle rearview mirror is free of charge for one year from the date of sale. If there is a quality problem under normal use, you can enjoy free maintenance service.
2. Limited warranty: After the one-year warranty period expires, LOBOO will provide paid maintenance services, and the cost is based on the actual replacement material cost, without charging labor costs.
3. This service term does not apply to the following situations: man-made damage, improper installation and use, self-disassembly, self-modification, etc.
4. Users need to realize that this model is a modified part, its quality and service life will be affected by different installation and use environments. Except as expressly provided by law, LOBOO is not responsible for any direct, indirect, special, incidental, inevitable loss or injury caused during the installation and use process, as well as disassembly risks and costs, etc., and is not restricted by other legal provisions.

Returns & Exchange Information

Platform ID: _____ Order Number: _____
Contact Name: _____ Contact Phone Number: _____
Return Address: _____

After-sales Matters

Please keep this card safe and send it back with the product (copy is valid)